

zehnder

studio
collection

ZEHNDER FOLIO HYBRID

Technical data sheet



ZEHNDER FOLIO HYBRID

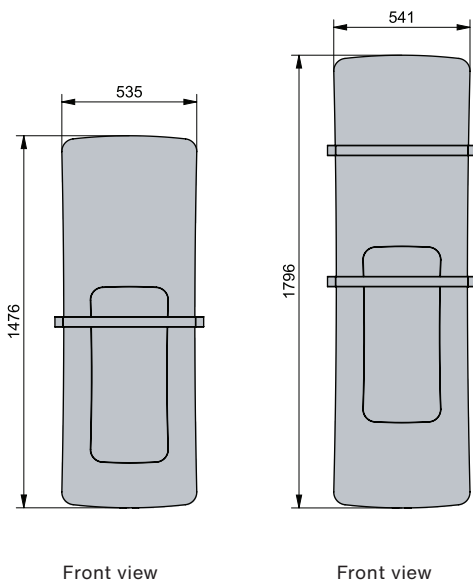
studio
collection

An extremely flat radiator, a closed surface along its entire length and a subtle silhouette - the Folio Hybrid model from the Zehnder Studio Collection delights with an impression of extraordinary lightness and subtle delicacy. The construction of this radiator with reduced tube dimensions of only 16 mm was made possible by the development of modern components and binders. The combination of glossy and matt surfaces conceals a unique technology: in the centre of the radiator there is an electrically powered infrared heating element made of glass, which thanks to its fast response can dry or heat towels in no time. Adjacent all around, the radiator is connected to the water-supplied central heating system and provides pleasant warmth in the room. With up to two chrome-plated towel holders, the Zehnder Folio Hybrid also guarantees a maximum level of thermal comfort and excellent design in the bathroom. Zehnder Folio Hybrid - the best combination of two heating philosophies.

Advantages

- Energy saving by combining two heating systems
- Flexibility usage throughout the year
- The water-supply heating system ensures even heat distribution throughout the interior, and the infrared heating element which is available on request is electrically powered and guarantees fast drying and heating of towels - even in warmer seasons
- It can be controlled using the timer function which has three different modes: 30, 60 or 90 minutes
- Convenient for hanging up towels
- Available in white and black
- The two heating systems can be operated independently of each other

Overview of models



Dimensions in mm

ZEHNDER FOLIO HYBRID

studio
collection

Connection to hot water central heating system / electric operation

Painted version

| Model | H mm | L mm | Thermal output | | | |
|----------------|---------|---------|-----------------------------------|---------------------|---------------------|---------------------|
| | | | 75/65/20 °C ¹⁾ W | 70/55/24 °C W | 55/45/24 °C W | 55/45/20 °C W |
| FZHB-150-052/D | 1476 | 535 | 514 | 371 | 232 | 276 |
| FZHW-150-052/D | 1476 | 535 | 514 | 371 | 232 | 276 |
| FZHB-180-052/D | 1796 | 540 | 648 | 463 | 285 | 341 |
| FZHW-180-052/D | 1796 | 540 | 648 | 463 | 285 | 341 |

H = Height, L = Length

1) Thermal output to EN 442, ΔT 50 K (75/65/20 °C)

Infrared electric heating element made of glass = 100 W

V2023911, RAD_DAS, EN_si, subject to change without prior notice