

# Zehnder Excelsior

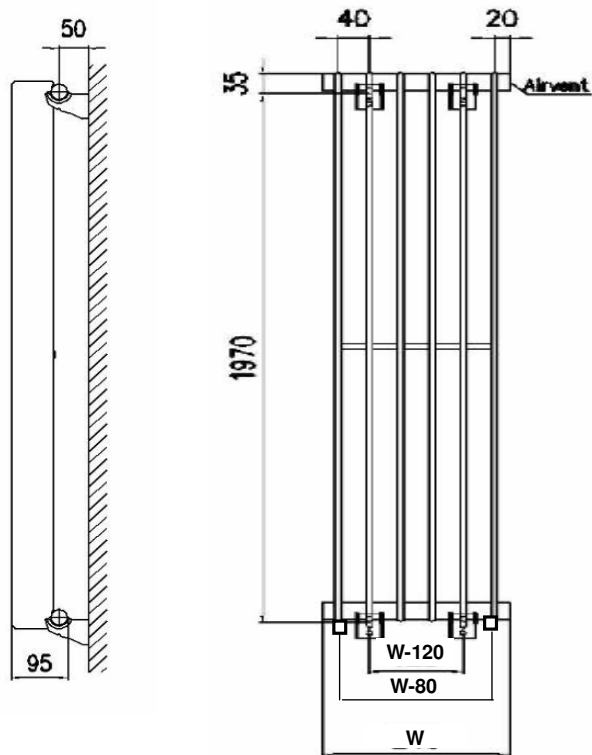
## Assembly Instructions



© Copyright by PGR

02/2010

PGR 161



## Brackets

The Excelsior radiator is supplied complete with wall supporting brackets (see picture). Screws, washers and wall plugs not included. (For solid wall construction, use 8xNo.10 2" screws with 1/4" washers and masonry plugs to suit.)

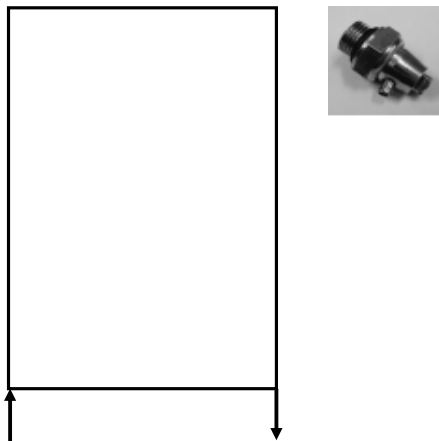
Please ensure that the supporting wall is strong enough to support the radiator when it is filled with water.



For bracket positions, please refer to diagrams above right.

## Connections

This steel radiator is suitable for connection to the central heating system only. When new or additional radiators are being installed, the system should be drained, cleaned and flushed in accordance with BS7593 and a good quality inhibitor, suitable for mixed metal systems, used to protect the system. If in doubt, seek professional advice. (For information on water treatment, please call the Water Treatment helpline on 01799 5211331)



## Airvent

Use a screwdriver to open the airvent.

