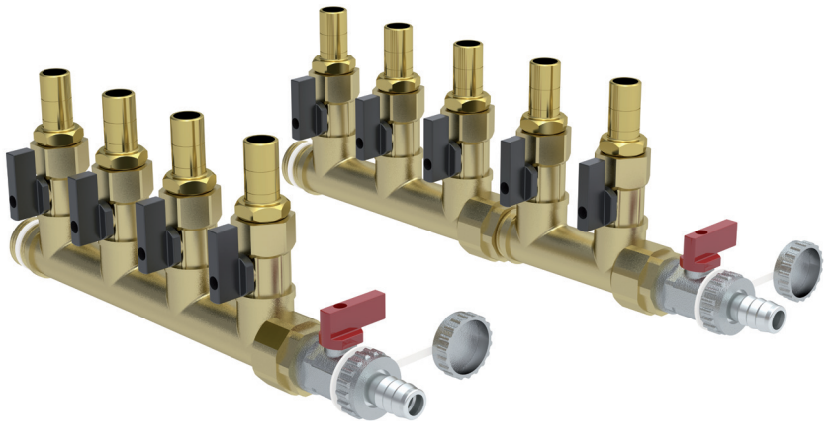


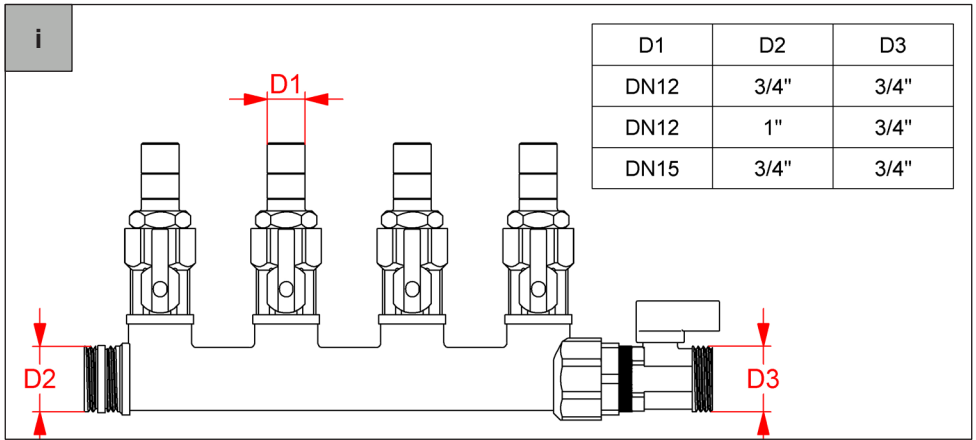
# Zehnder RHC

## RHC-MV

511220, 511230, 511240, 511250, 511260,  
511270, 511280, 511290, 511300, 511310,  
511320, 511330, 511340, 511350, 511360,  
511370, 511380, 511390, 511400, 511410,  
511300

**zehnder**





Material: brass

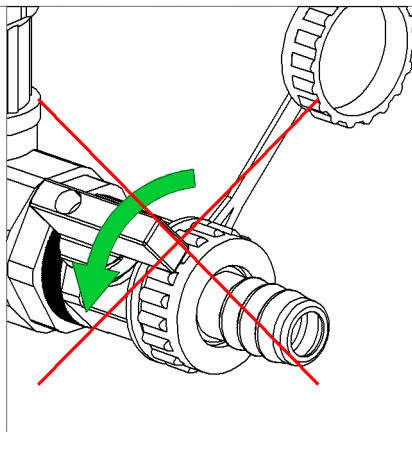
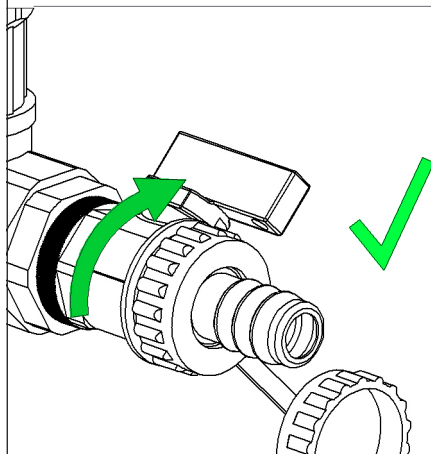
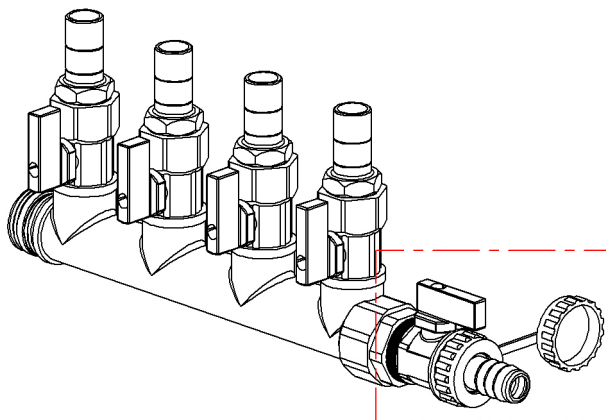
Material: galvanized steel

max. 120°C

CBL smooth: max. 83°C / max. 6 bar  
 CBL perforated: max. 50°C / max. 6 bar  
 ALL smooth/perforated: max. 83°C / max. 6 bar

- H<sub>2</sub>O  
 - Glycol use allowed  
 Max concentration  
 Glycol/H<sub>2</sub>O for a  
 temperature of -30 °C

~~Oil~~



i

**Before system operation it is necessary to carry out leakage tests.  
Test pressure 1,3x operating pressure (Max. 7,8 bar).**

**1. Pressure test with air:**

Pressurize with air and check for leakages or pressure losses.

**2. Filling with water:**

Fill the system with water and check again for leakages.

i

