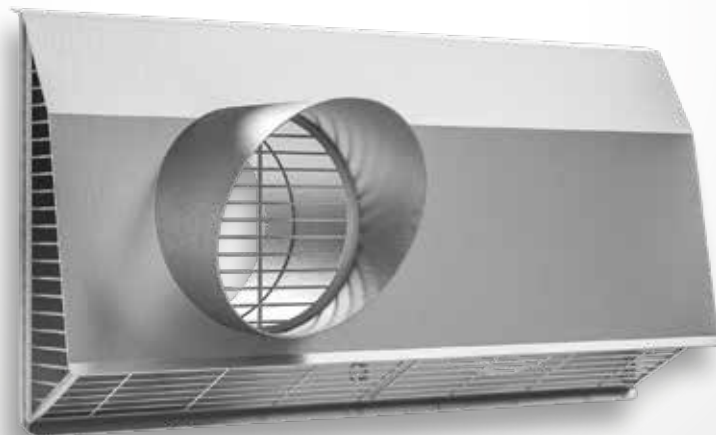


# Zehnder combined external wall grille

Technical specification for outdoor air and exhaust air connectors

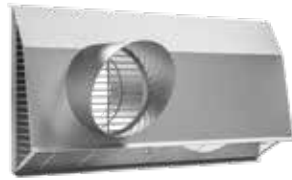


## General

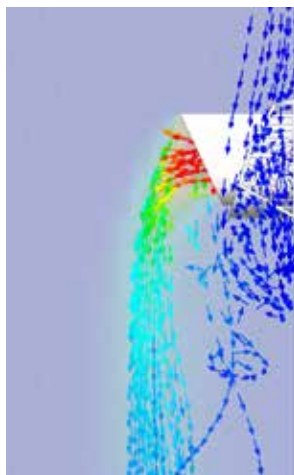
The Zehnder combined external wall grille is suitable for use in outdoor and exhaust air ducting. It is mounted on the external wall and combines the outdoor air and exhaust air connection in one product.



DN125 combined external wall grille



DN160 combined external wall grille



Because of the flow-optimised design, recirculation at the facade is less than 3% (DN125 combined external wall grille) or 5% (DN160 combined external wall grille) with nominal ventilation and a wind speed of 5 m/s.

The illustration on the left shows the flow characteristics of the DN125 combined external wall grille.

## Benefits

- Time-saving installation and minimal space required, as the outdoor air and exhaust air connections are contained within a single element
- Maximum efficiency due to low pressure loss
- Elegant appearance and design
- Rain protection thanks to optimal fin setting
- Safety tested for recirculation achieved through flow-optimised design

## Technical specifications

Combined external wall grille		
	DN125	DN160
Dimensions	224 mm x 400 mm (H x W)	590 mm x 299 mm (H x W)
Weight	2.1 kg	2.9 kg
Nominal air volume	Up to 120 m <sup>3</sup> /h	Up to 300 m <sup>3</sup> /h
Pressure loss for exhaust air	80 m <sup>3</sup> /h – 0.5 Pa	150 m <sup>3</sup> /h – 4.6 Pa
	120 m <sup>3</sup> /h – 0.7 Pa	300 m <sup>3</sup> /h – 18.8 Pa
	180 m <sup>3</sup> /h – 1.0 Pa	450 m <sup>3</sup> /h – 43.3 Pa
Pressure loss for outdoor air	80 m <sup>3</sup> /h – 2 Pa	150 m <sup>3</sup> /h – 5.9 Pa
	120 m <sup>3</sup> /h – 8 Pa	300 m <sup>3</sup> /h – 23.6 Pa
	180 m <sup>3</sup> /h – 20 Pa	450 m <sup>3</sup> /h – 53.3 Pa

## Article numbers

Description	Article numbers
Combined external wall grille, outdoor air connection on right, DN125	990 430 591
Combined external wall grille, outdoor air connection on left, DN125	990 430 592
Combined external wall grille, outdoor air connection on right, DN160	990 430 594
Combined external wall grille, outdoor air connection on left, DN160	990 430 595

Accessories	L (mm)	Diameter (mm)	Article numbers
<b>Combined external wall grille DN125</b>			
ComfoPipe Compact tube DN125	1000	155 / 125	990 328 690
ComfoPipe Plus joining set, DN125 to twin duct	-	-	990 328 807
<b>Combined external wall grille DN160</b>			
ComfoPipe Compact tube DN160	1000	190 / 160	990 328 693
ComfoPipe Plus tube DN160	1000	246 / 160	990 328 700

## Tender specifications

### Zehnder DN125 combined external wall grille

The Zehnder combined external wall grille can be used to connect outdoor and exhaust air ducting using a single compact element. The special design optimises the pressure losses and prevents exhaust air backflow.

The product can be installed free of thermal bridges by using Zehnder ComfoPipe Compact DN125 (minimum diameter of tapping drill hole: 158 mm). The fins and housing are made from stainless steel.

There are three fixing holes to enable wall mounting.

The fastening material is included in the scope of delivery.

### Zehnder DN160 combined external wall grille

The Zehnder combined external wall grille can be used to connect outdoor and exhaust air ducting using a single compact element. The special design optimises the pressure losses and prevents exhaust air backflow.

The product can be installed free of thermal bridges by using Zehnder ComfoPipe Compact DN160 (minimum diameter of tapping drill hole: 200 mm) or Zehnder ComfoPipe Plus DN160 (minimum diameter of tapping drill hole: 250 mm). The fins and housing are made from stainless steel.

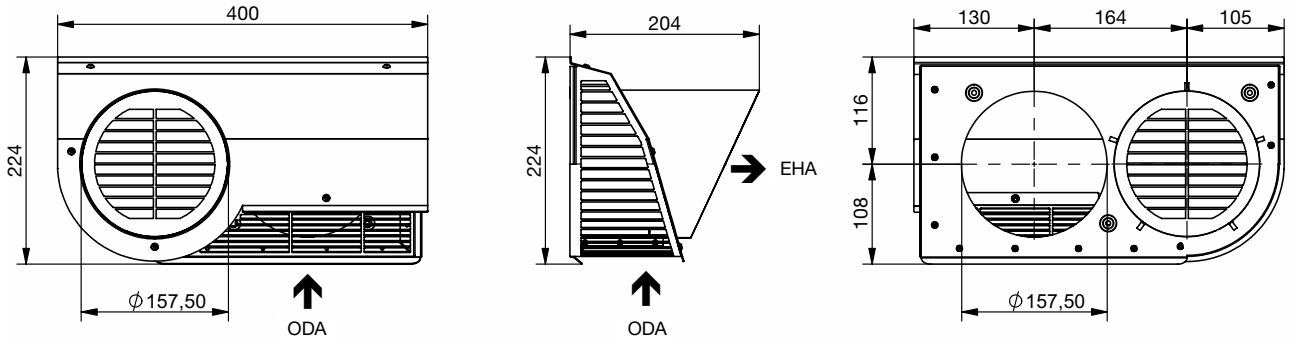
There are four fixing holes to enable wall mounting.

The fastening material is included in the scope of delivery.

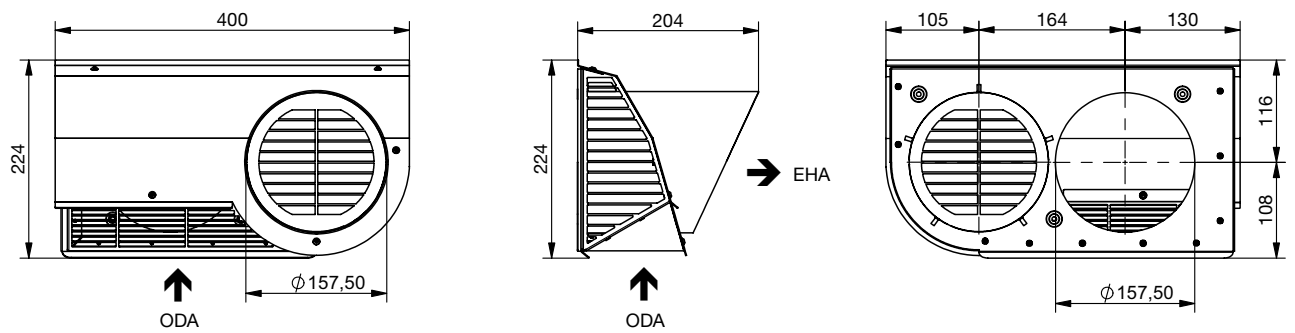
## Dimensional drawings

### DN125 combined external wall grille

Outdoor air connection on right

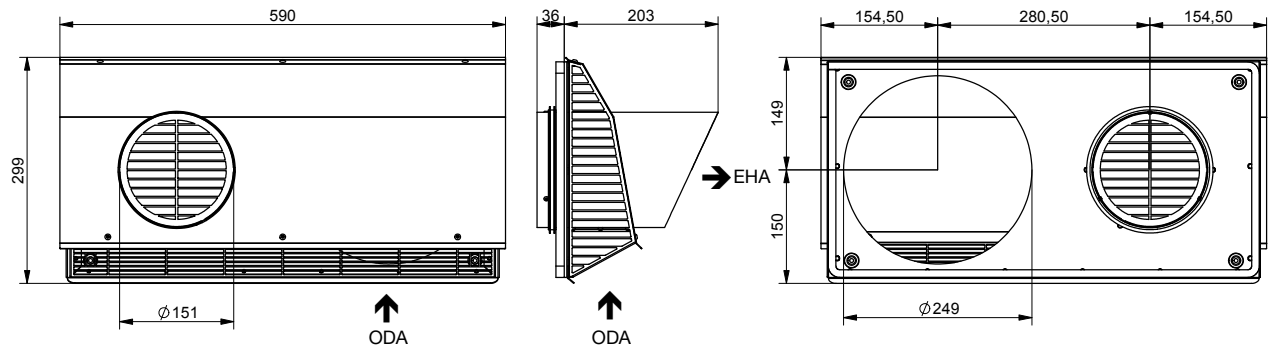


Outdoor air connection on left

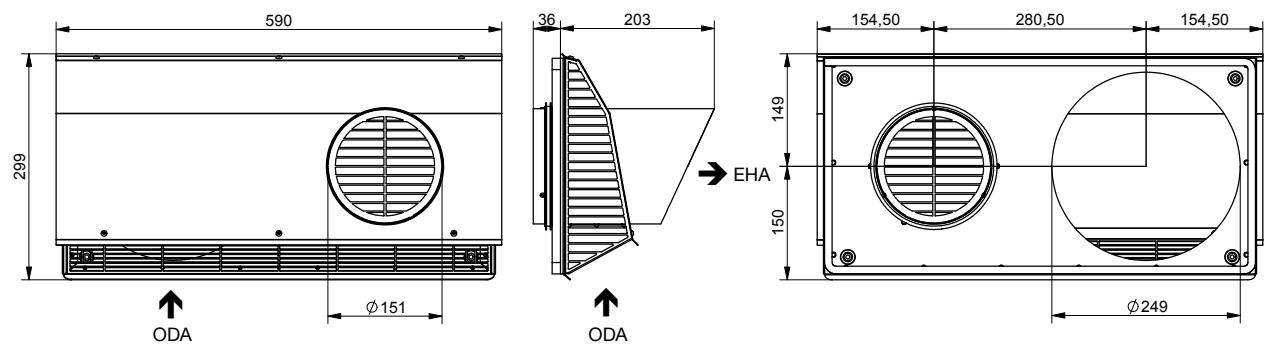


### DN160 combined external wall grille

Outdoor air connection on right

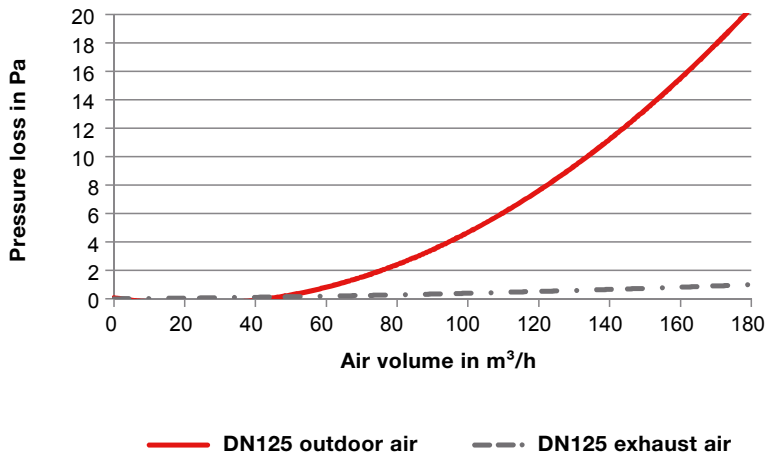


Outdoor air connection on left

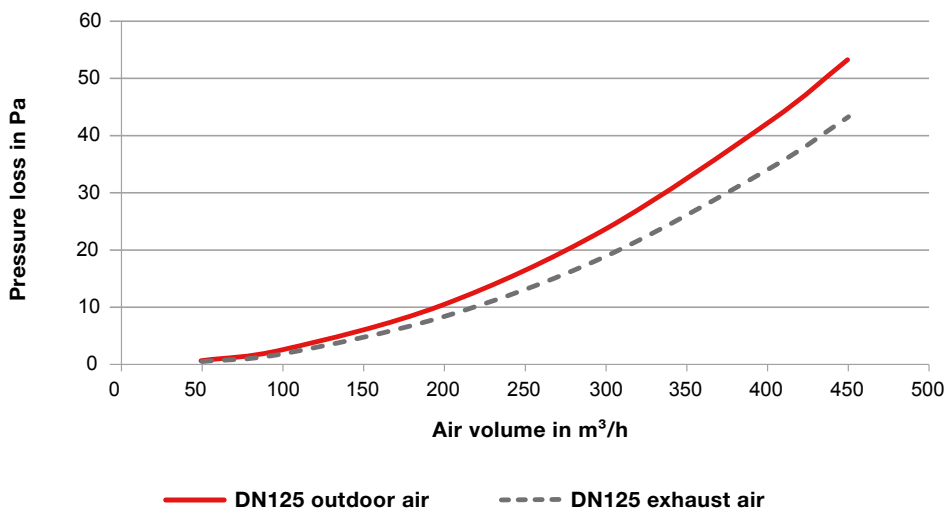


## Pressure loss

### DN125



### DN160



Z-SI-V0220-CSY-TESS-TS096, en, subject to change without notice