

# STUDIO COLLECTION

## **ZEHNDER FOLIO HYBRID**

With an impressive flat surface, full closed edging and gently tapered silhouette, Zehnder Folio Hybrid from the Studio Collection is highly appealing with its unusually light and floating appearance. The design of this radiator, which has a projection of only 16 millimetres deep, has only been made possible by the development of innovative design elements and materials. The combination of a glossy and a matt surface allows the technology behind it to shine through: an electrically operated infrared heating element made of glass is located in the middle of the radiator, the rapid reaction time of which enables drying or warming of towels in the shortest time possible. The surrounding radiator is connected to the central heating system and provides cosy warmth in the room. With up to two chrome-plated towel rails, Zehnder Folio Hybrid also lends maximum style and comfort to the bathroom. Zehnder Folio Hybrid – the best of two heating philosophies.





Radiator surface: Black

# STUDIO COLLECTION ZEHNDER FOLIO HYBRID



Radiator surface: White



Radiator surface: Black

## Hybrid operation

Zehnder Folio Hybrid from the Studio Collection combines two heating systems in one radiator. The design of this radiator, which has a projection of only 16 millimetres deep, has only been made possible by the development of innovative design elements and materials.

Heating register made of copper pipe Ø 12 mm, embedded in an aluminium honeycomb construction, which is enclosed by expanded natural graphite, 45° inclined edges made of polyamide. Glass finish made of laminated safety glass measuring 2 x 4 mm, with an integrated electrically operated heating film. The two heating systems (radiator and heating element) can be operated independently of each other. One or two (depending on model, according to overview of models) chrome-plated towel rails 40 x 4 mm, for installation at a fixed predefined position, included in scope of delivery. Thermal output to EN 442, with CE marking. With two connections ½" female thread for flow/return at the bottom centre, distance of 50 mm, decorative directional air vent ½" at the top rear. Operation of heating element via control element (control panel). Splash-proof IP45, protection class II, mains connection 230 V. Connection cable (1.1 m) with Euro plug. White cable and plug, cable outlet towards the back. Front and back in aluminium available in white matt (0556) and black matt (0557). Heating element surface: Glass, white gloss and black gloss. Delivered ready to install with elegant wall brackets in radiator colour.

Operating pressure	max. 10,0 bar
Operating temperature	max. 80 °C
Height	..... mm
Length	..... mm
Model	.....

## Advantages

- The two heating systems can be operated independently of each other.
- Sleek, elegant design
- Smooth surface makes for easy cleaning
- Convenient for hanging up towels

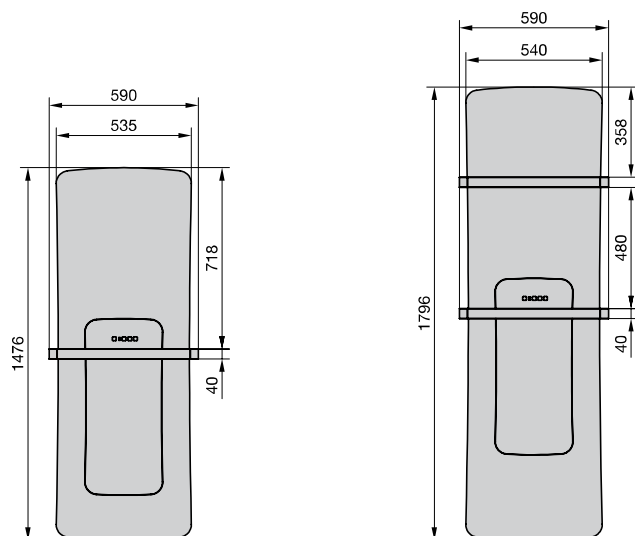
## Construction



The decorative radiator consists of two different heating system technologies. The outer part is connected to the hot water central heating system. At the core of this system is a heating register made of copper (1), embedded in an aluminium honeycomb construction (2), which is surrounded by expanded natural graphite (3). The natural graphite used is an innovative material with ideal properties such as high thermal conductivity, low density and resistance to ageing. The inner part of the radiator consists of a heating film (4), which is sandwiched between two thin glass plates (5) of 4 mm each. Thanks to this special, newly developed design and an innovative manufacturing technique, Zehnder was able to develop this very thin and ultra-light radiator without compromising on performance.

# STUDIO COLLECTION ZEHNDER FOLIO HYBRID

## Overview of models



## Connection to hot water central heating system / electric operation

Painted version

Model	H mm	L mm	Thermal output				Exp. n	Electrical output W	V dm <sup>3</sup>	M kg	Price €
			EN 442① W	70/55/24 W	55/45/24 W	55/45/20 W					
<b>White matt (0556) / white gloss</b> (radiator / heating element)											
FZHW-150-052/D	1476	535	514	371	232	276	1.20	100	0.5	14.1	<b>1.678,08</b>
FZHW-180-052/D	1796	540	648	463	285	341	1.24	100	0.6	17.7	<b>1.827,50</b>
<b>Black matt (0557) / black gloss</b> (radiator / heating element)											
FZHB-150-052/D	1476	535	514	371	232	276	1.20	100	0.5	14.1	<b>1.678,08</b>
FZHB-180-052/D	1796	540	648	463	285	341	1.24	100	0.6	17.7	<b>1.827,50</b>

Special solution on request (surcharge)	Article no.	Price €
■ Zehnder thermostat	-	<b>see page 158</b>
■ Zehnder valves, return screw connections and fittings	-	<b>see page 159 onwards</b>

## Standard scope of delivery for hybrid operation

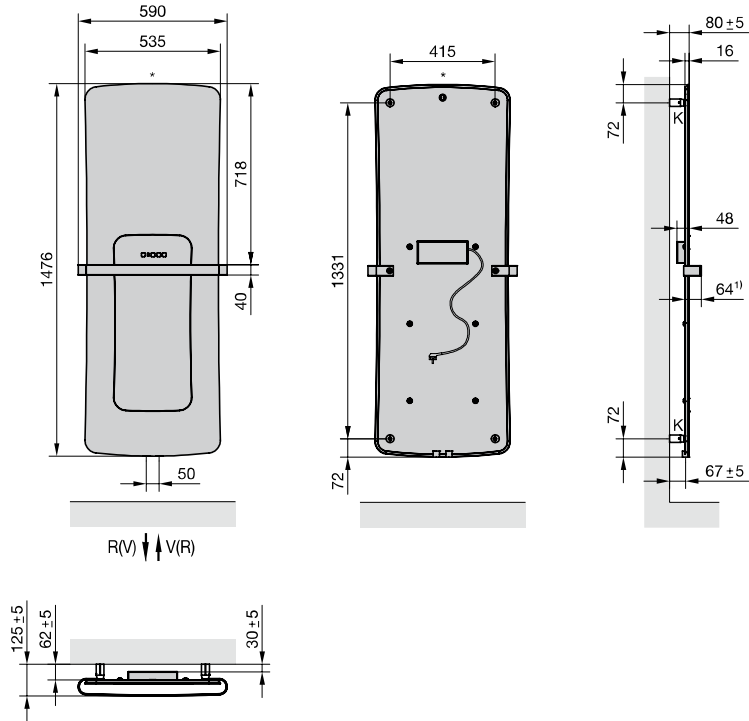
- Powder-coated radiator according to DIN 55900  
Matt white or matt black
- Glass finish made of laminated safety glass in white gloss or black gloss
- 1 or 2 chrome towel rails depending on version
- 2 x ½" connections at bottom, centre 50 mm
- ½" directional air vent
- Integrated control element (control panel) with the following functions:  
Timer 30, 60 or 90 minutes, Off,  
Surface temperature: max. 65 °C
- Elegant wall brackets
- Packaging

① Thermal output to EN 442, ΔT 50 K (75/65/20 °C)

# STUDIO COLLECTION ZEHNDER FOLIO HYBRID

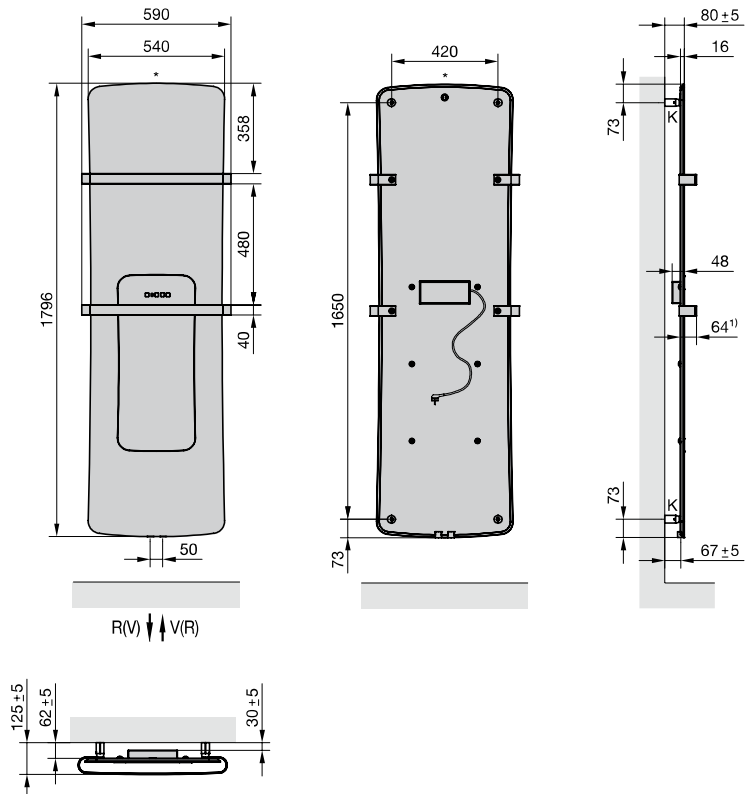
**Hybrid operation:**  
Wall mounting

Back cover



**Hybrid operation:**  
Wall mounting

Back cover



- V = Flow
- R = Return
- K = Bracket(s)
- \* = Vent

Dimensions in mm

1) Rear edge of radiator up to front edge of towel rail