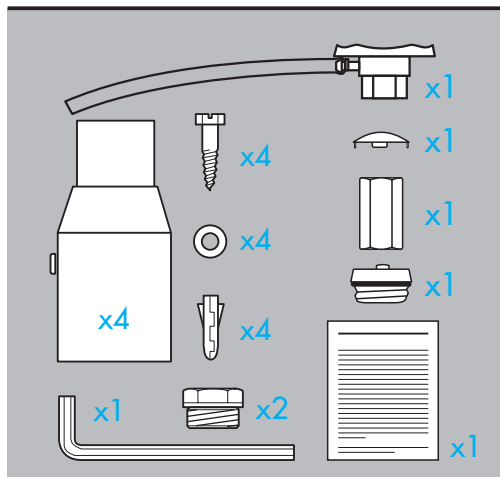
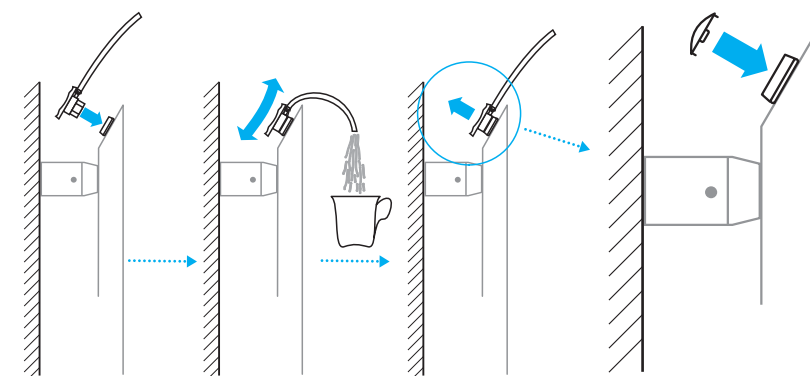
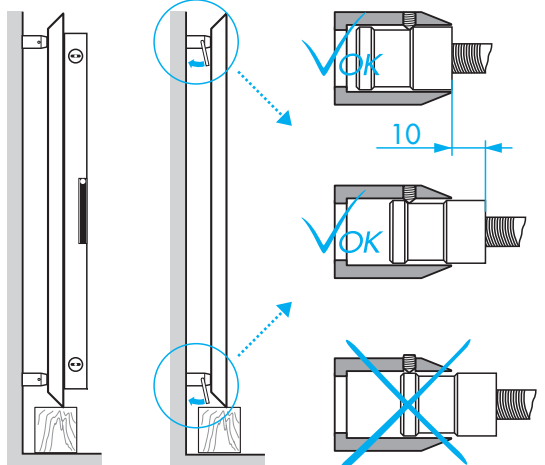
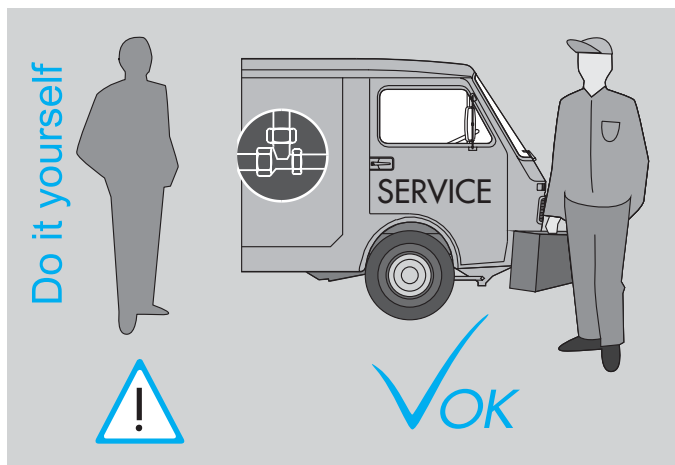
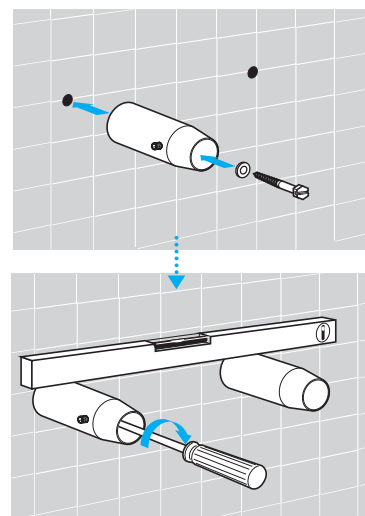
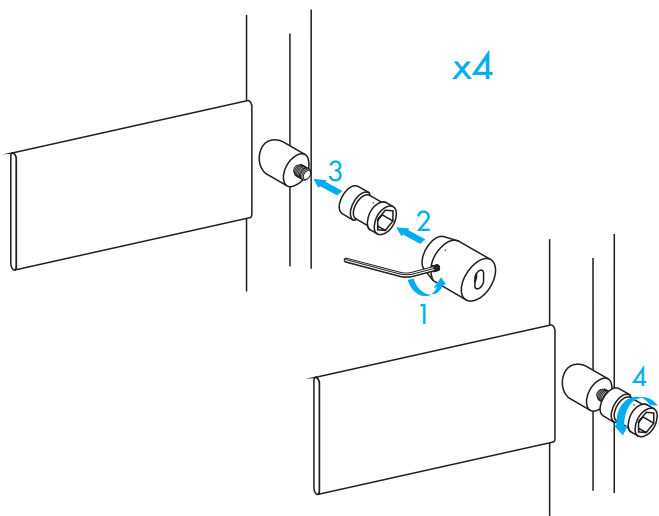
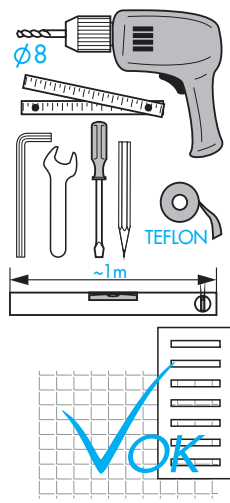
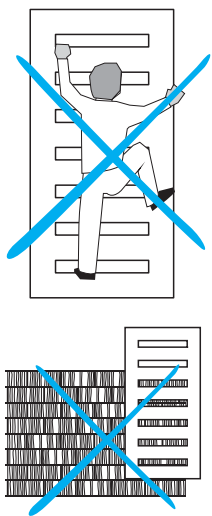


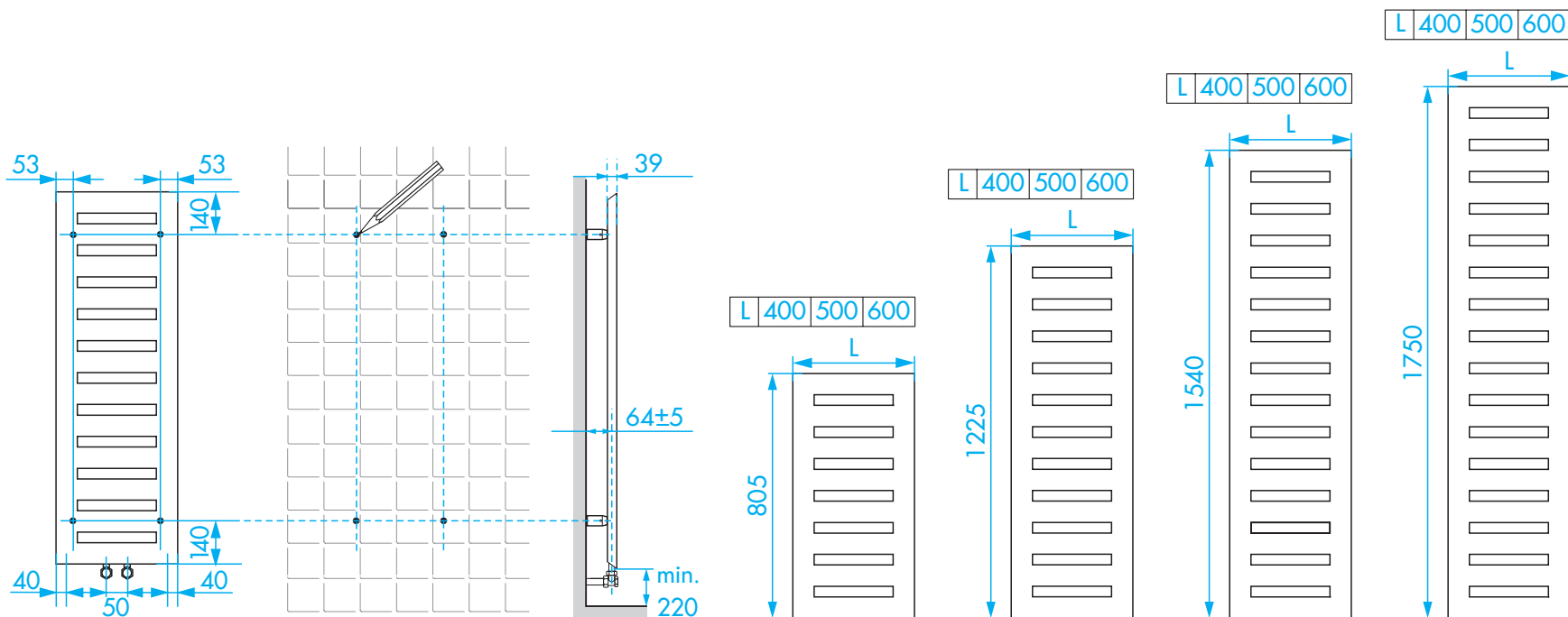
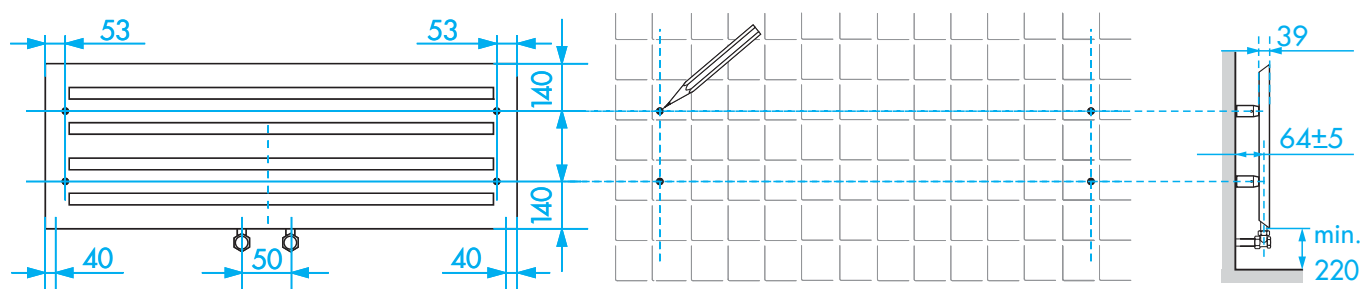
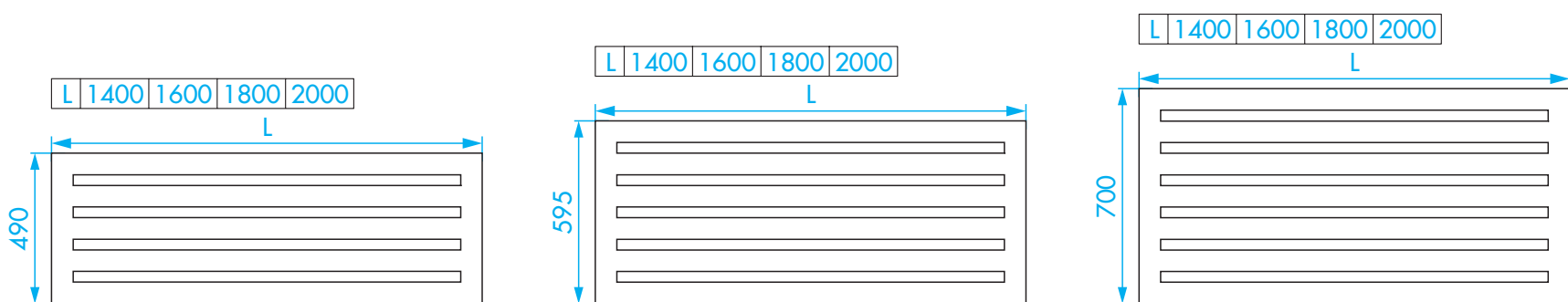
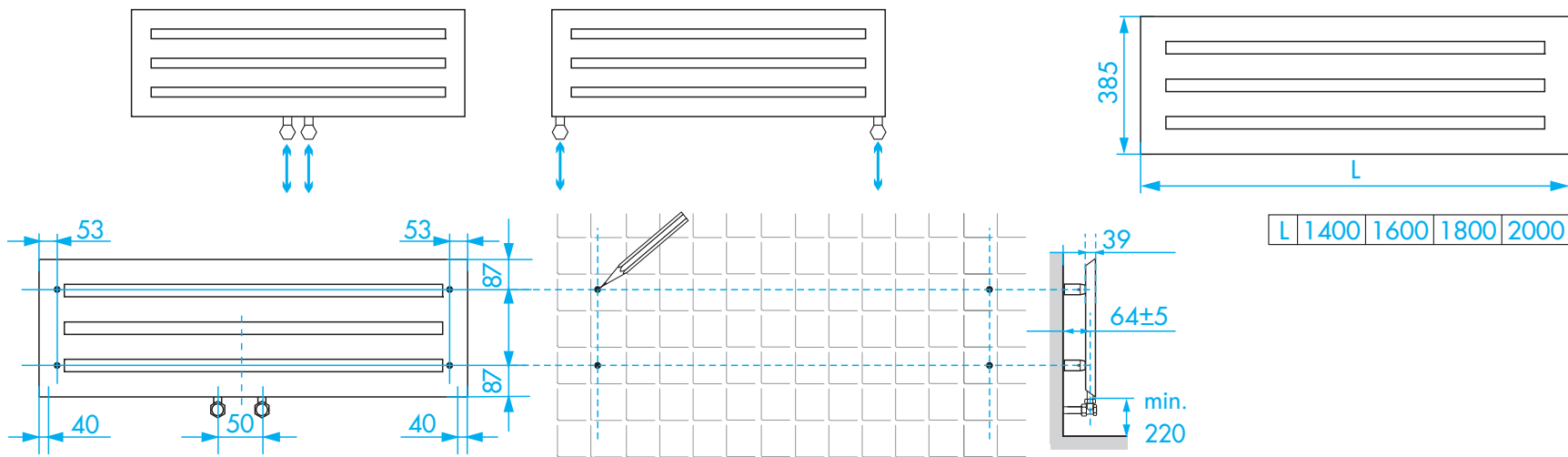
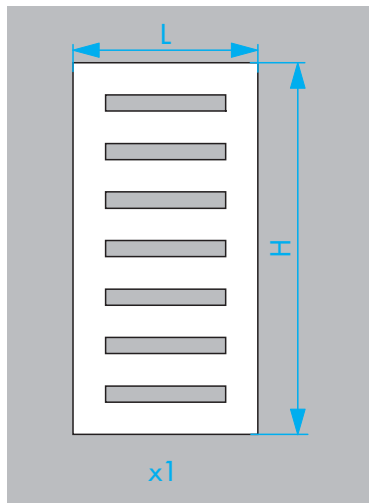
221109



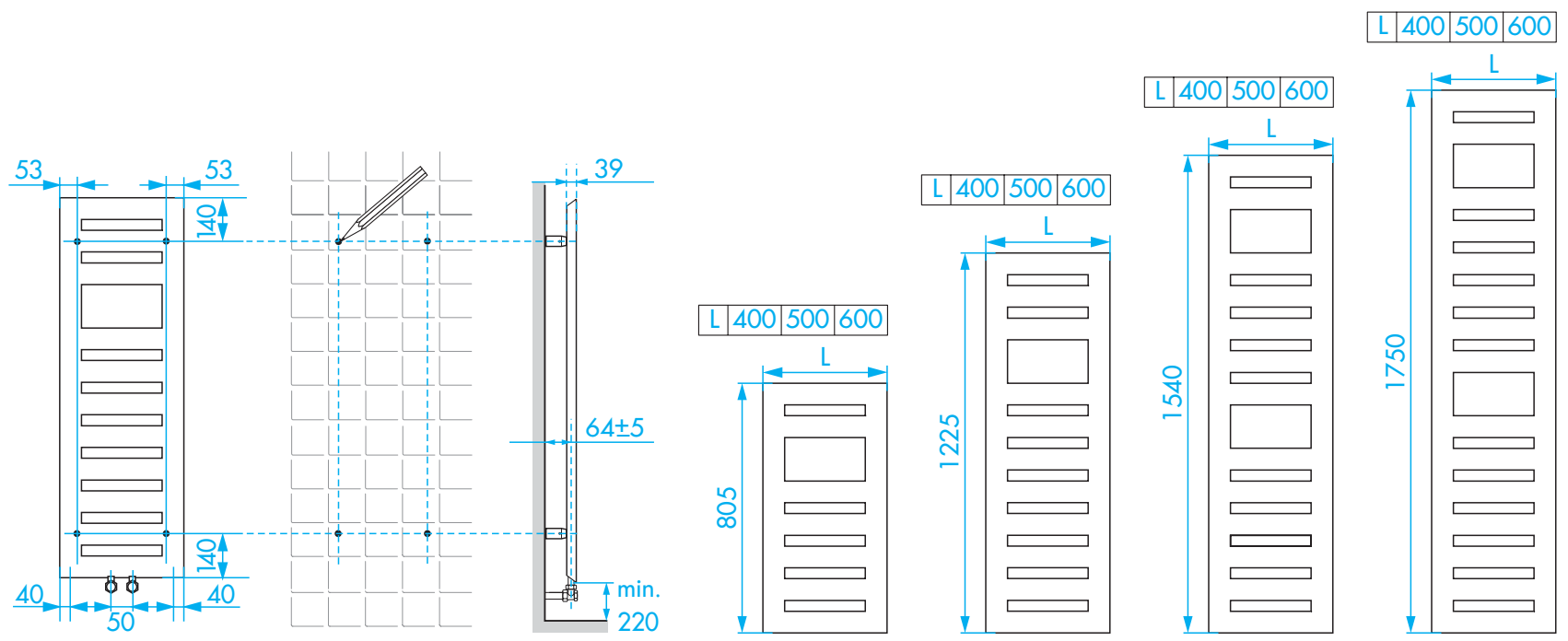
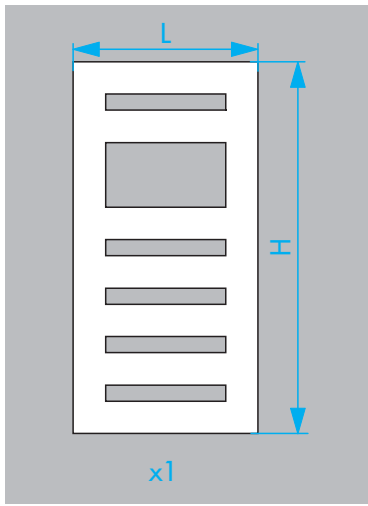
© Copyright by PBO 11/09



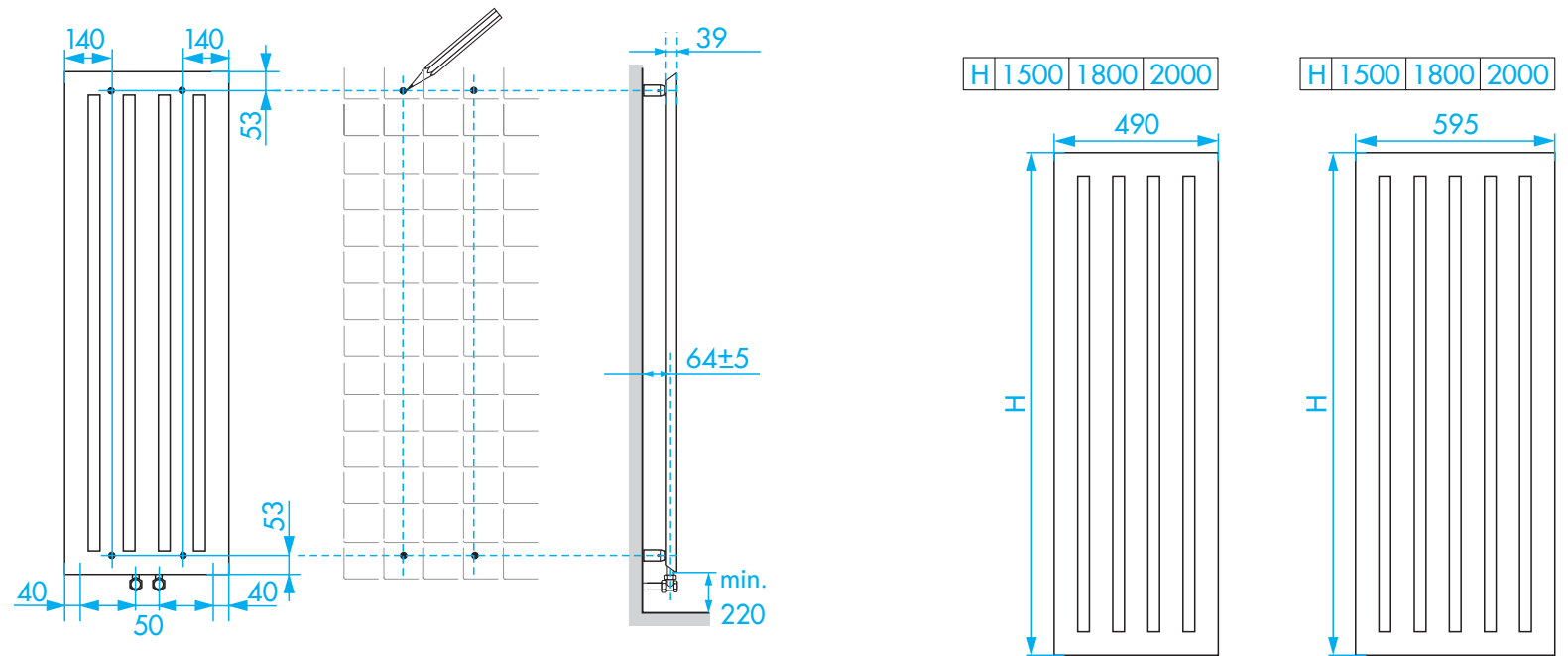
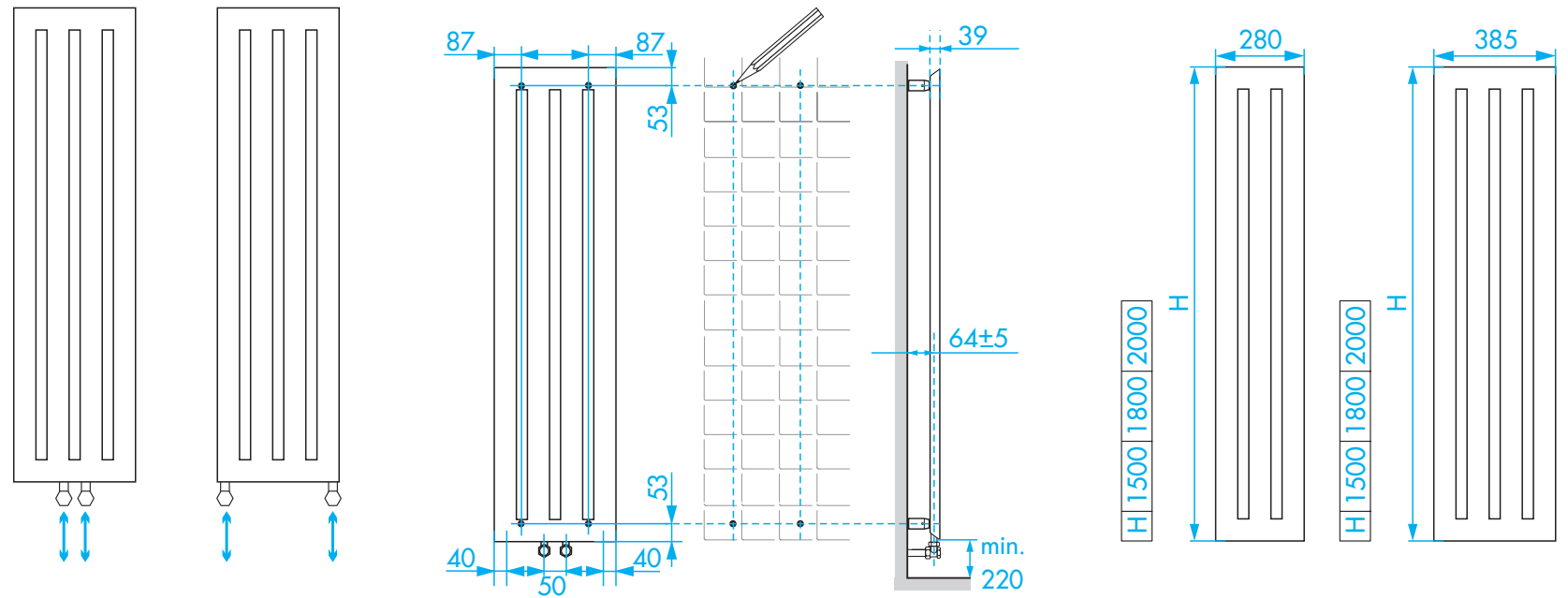
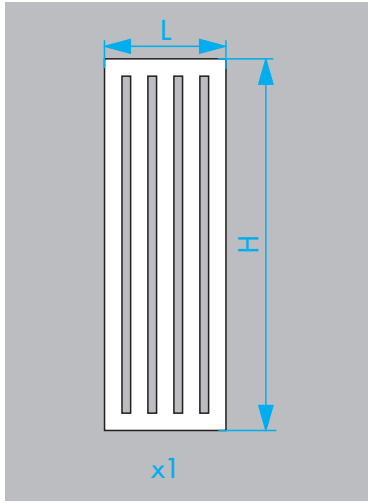
TYPE T080-H



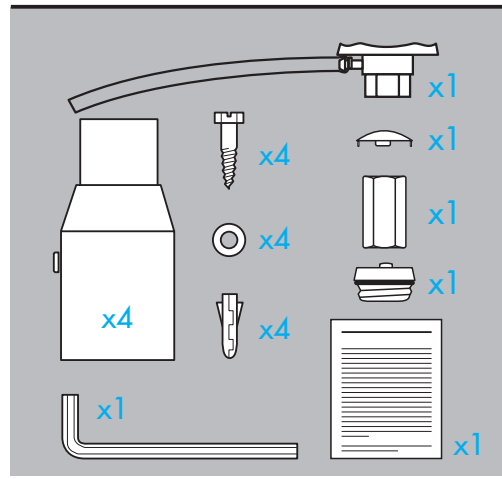
TYPE T081-H



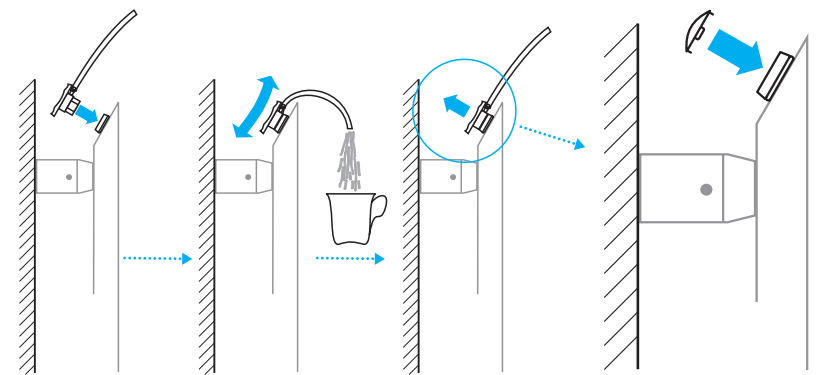
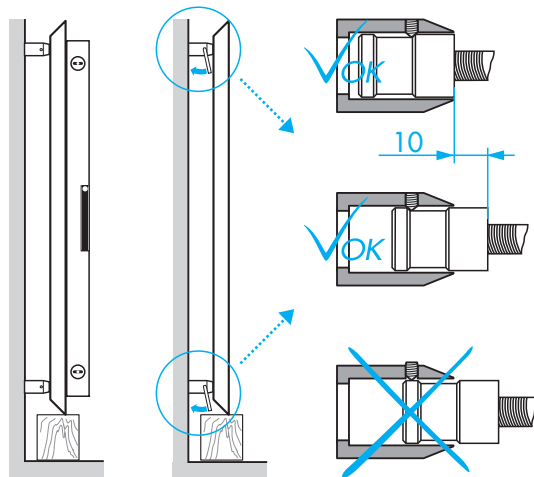
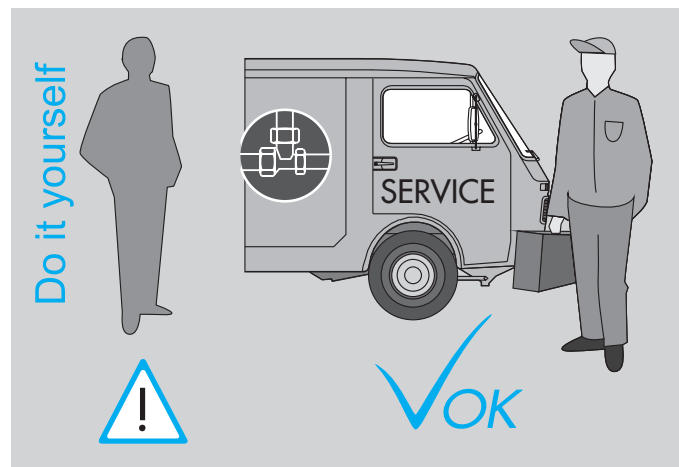
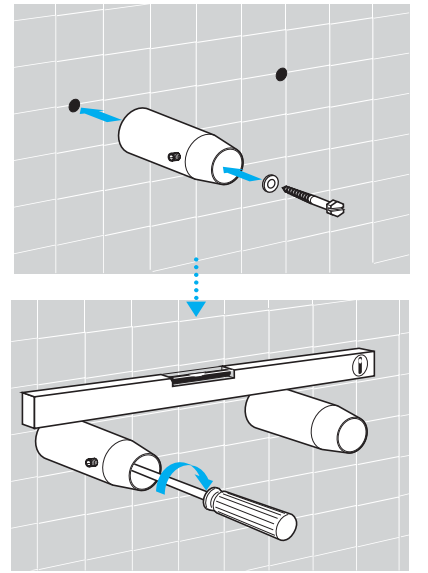
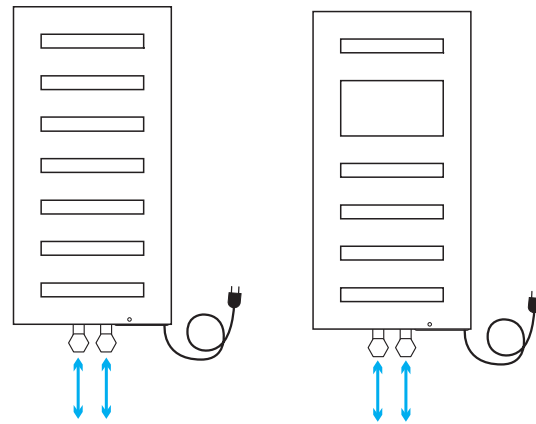
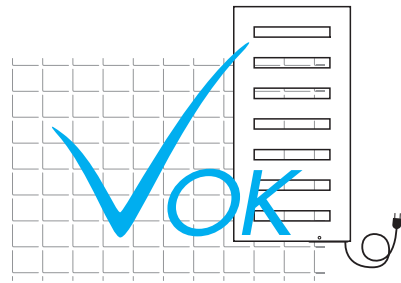
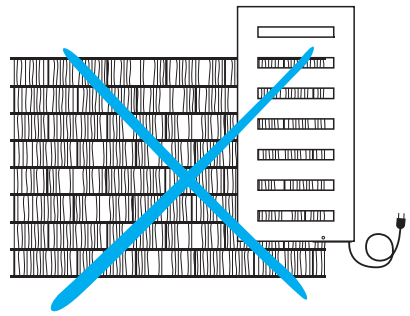
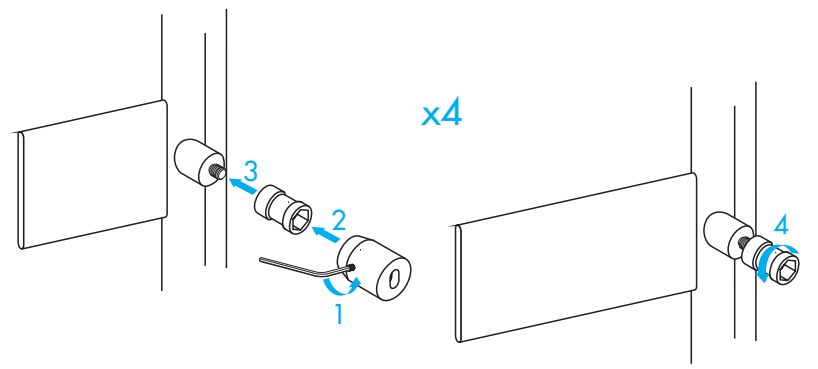
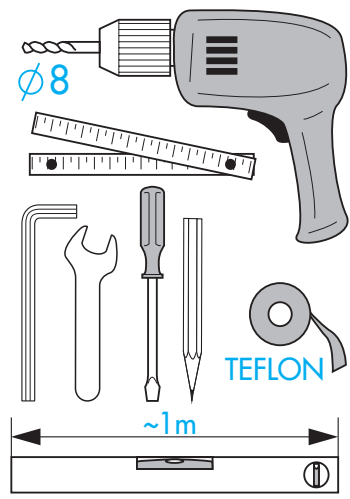
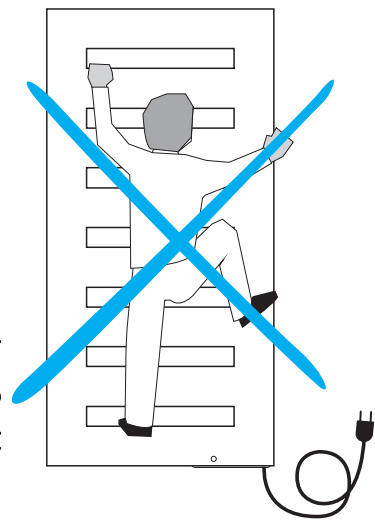
TYPE T080-V



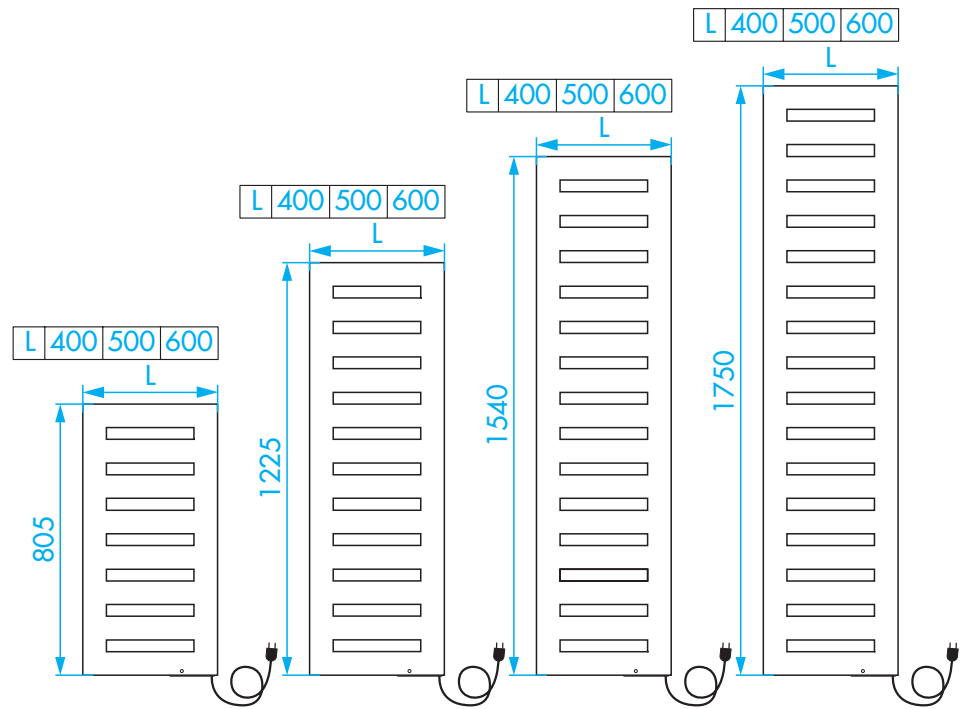
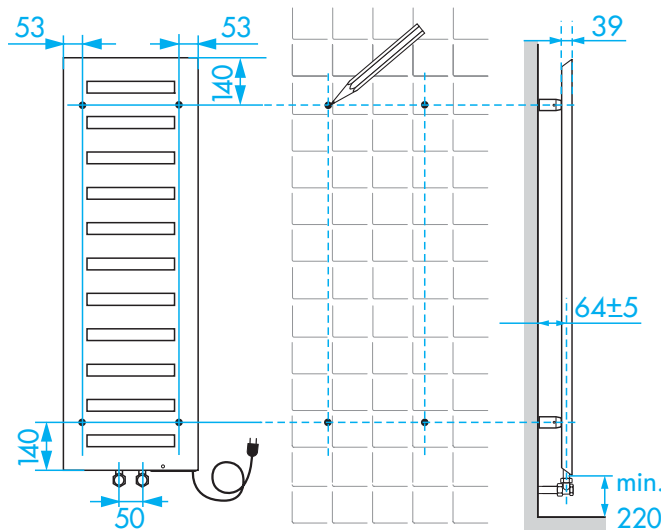
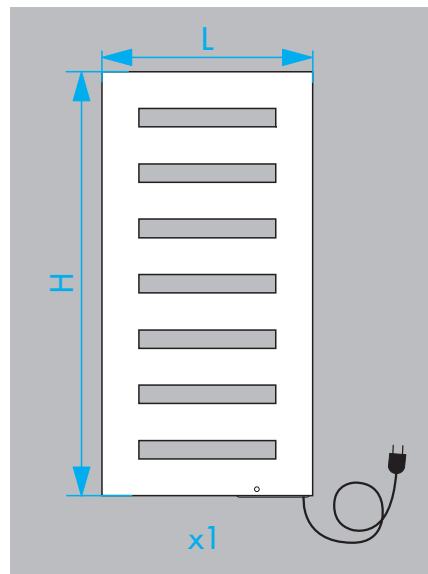
231109



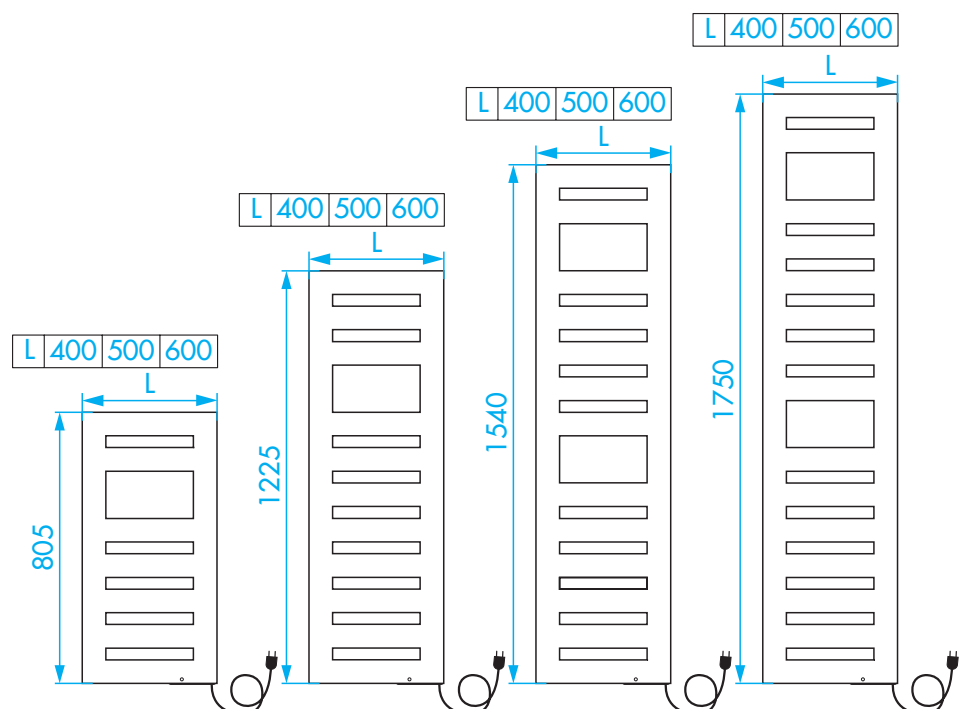
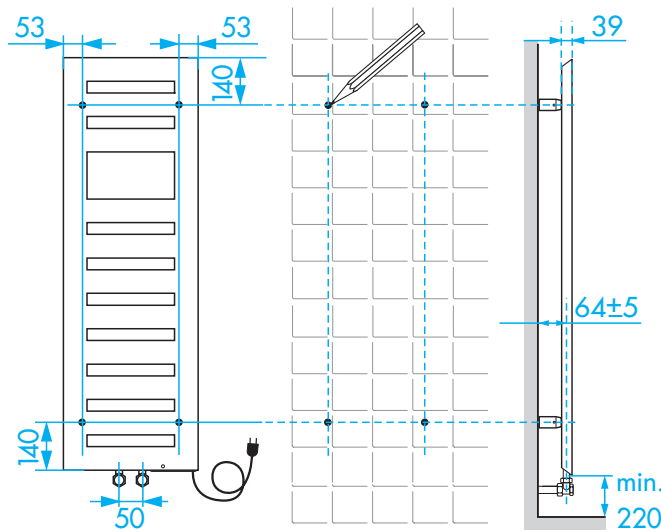
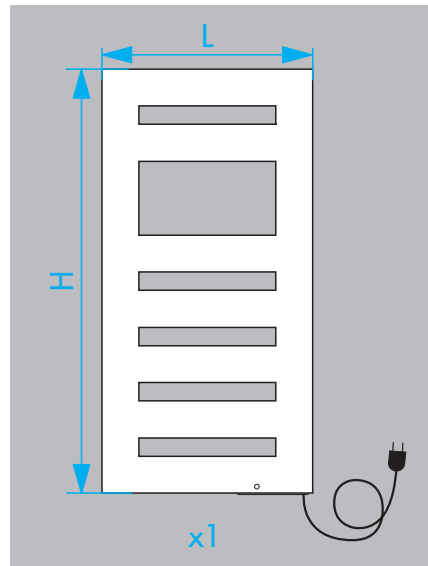
© Copyright by PBO 11/09



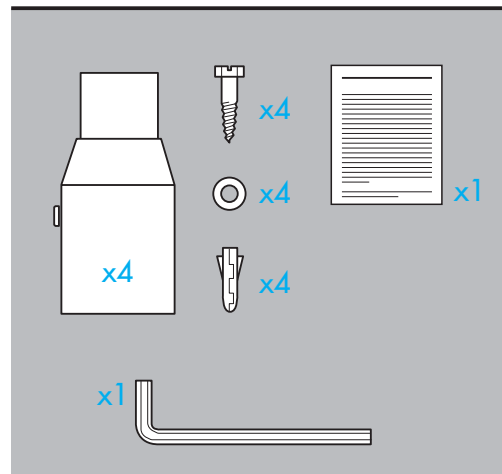
TYPE T080-HM



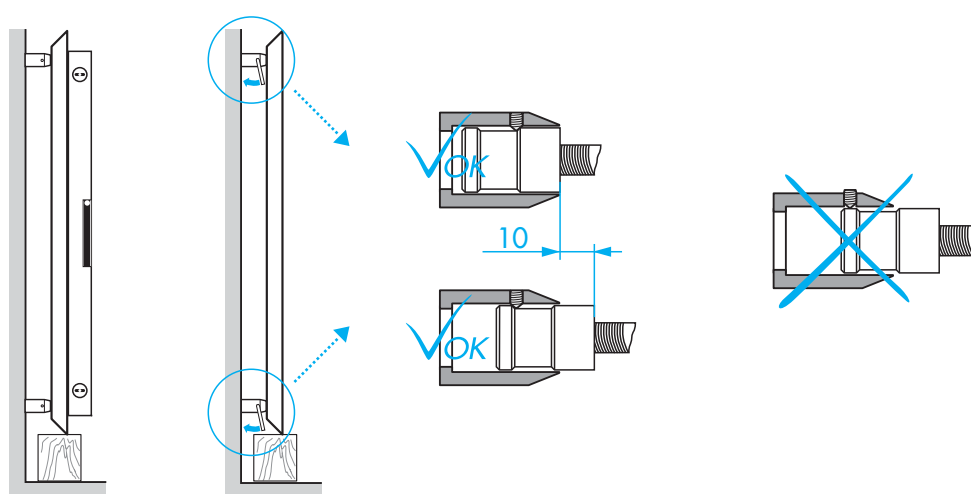
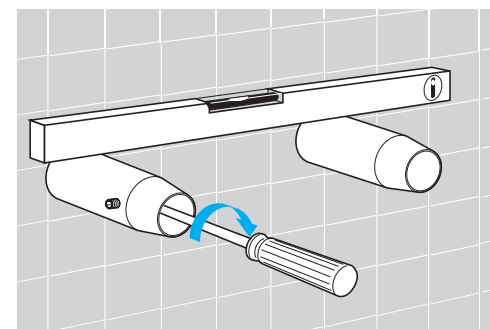
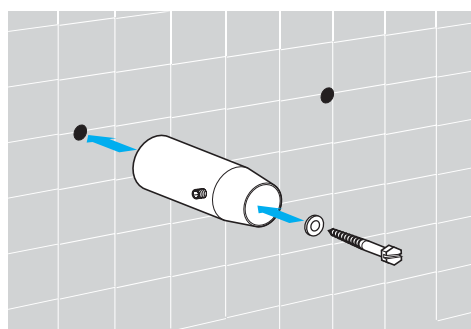
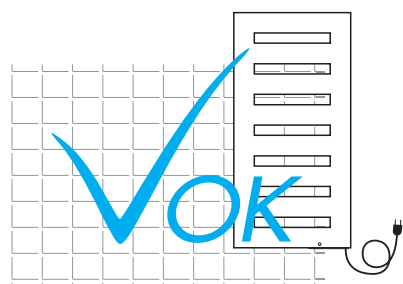
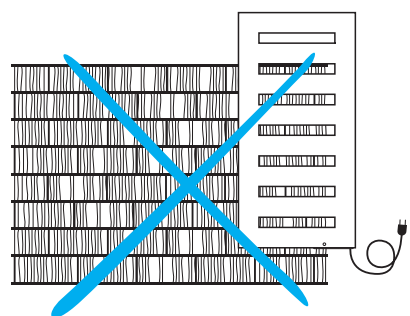
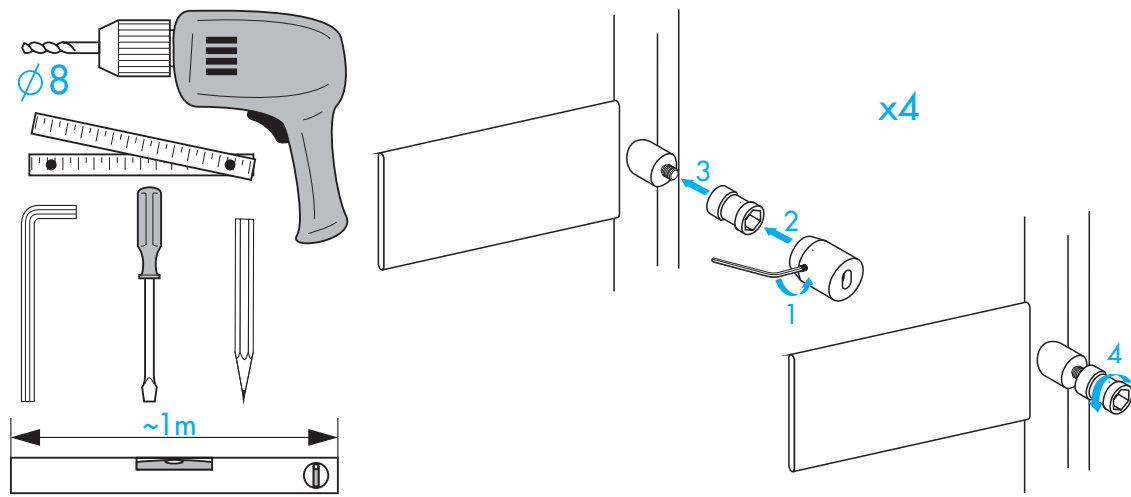
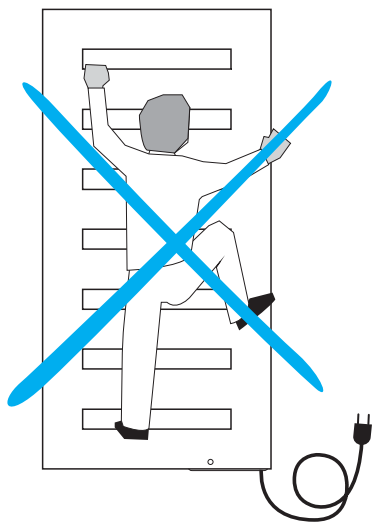
TYPE T081-HM



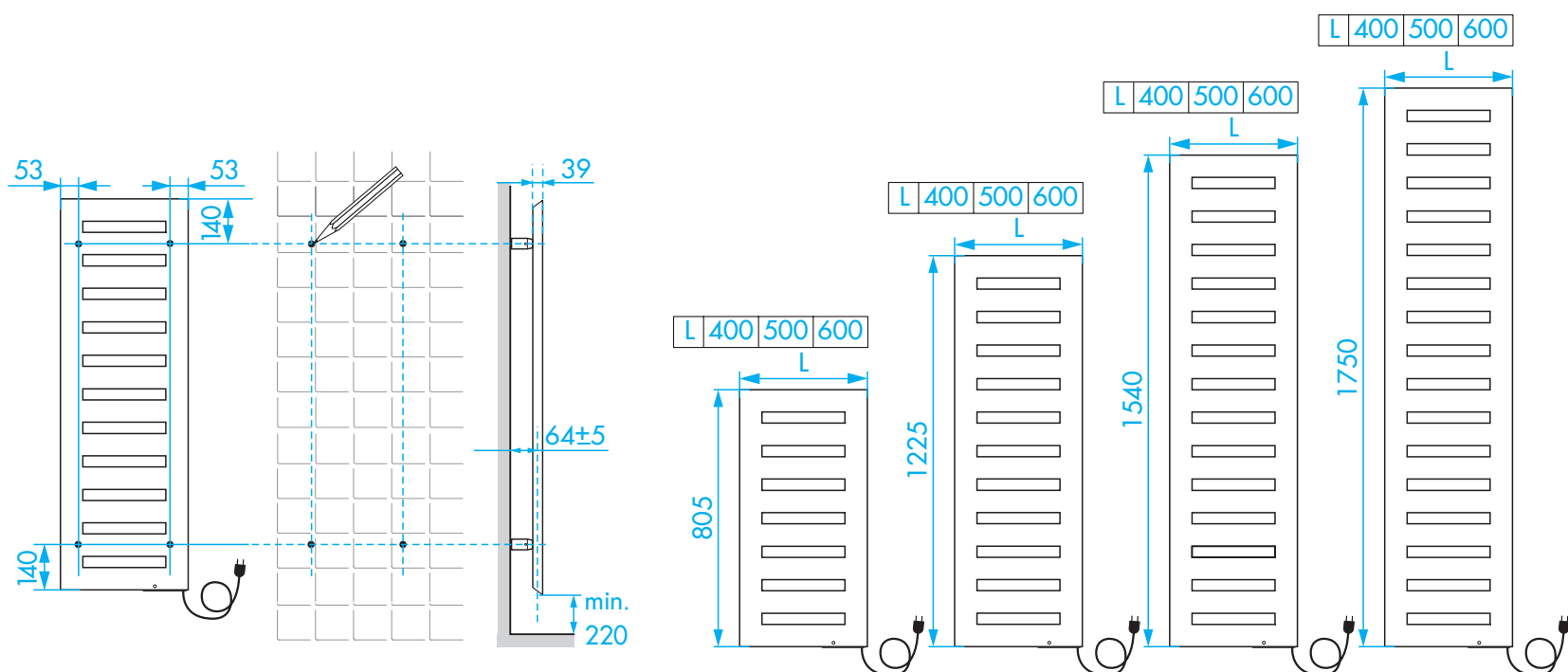
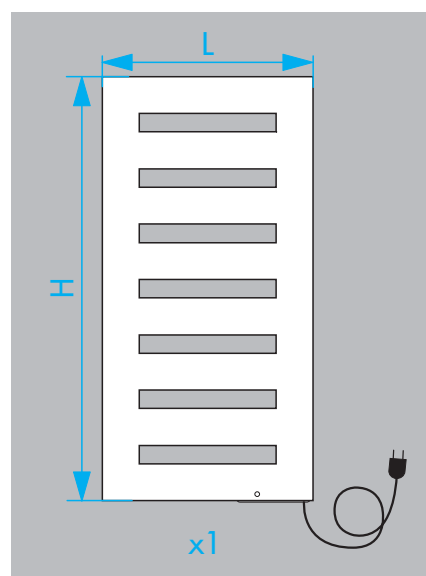
101209



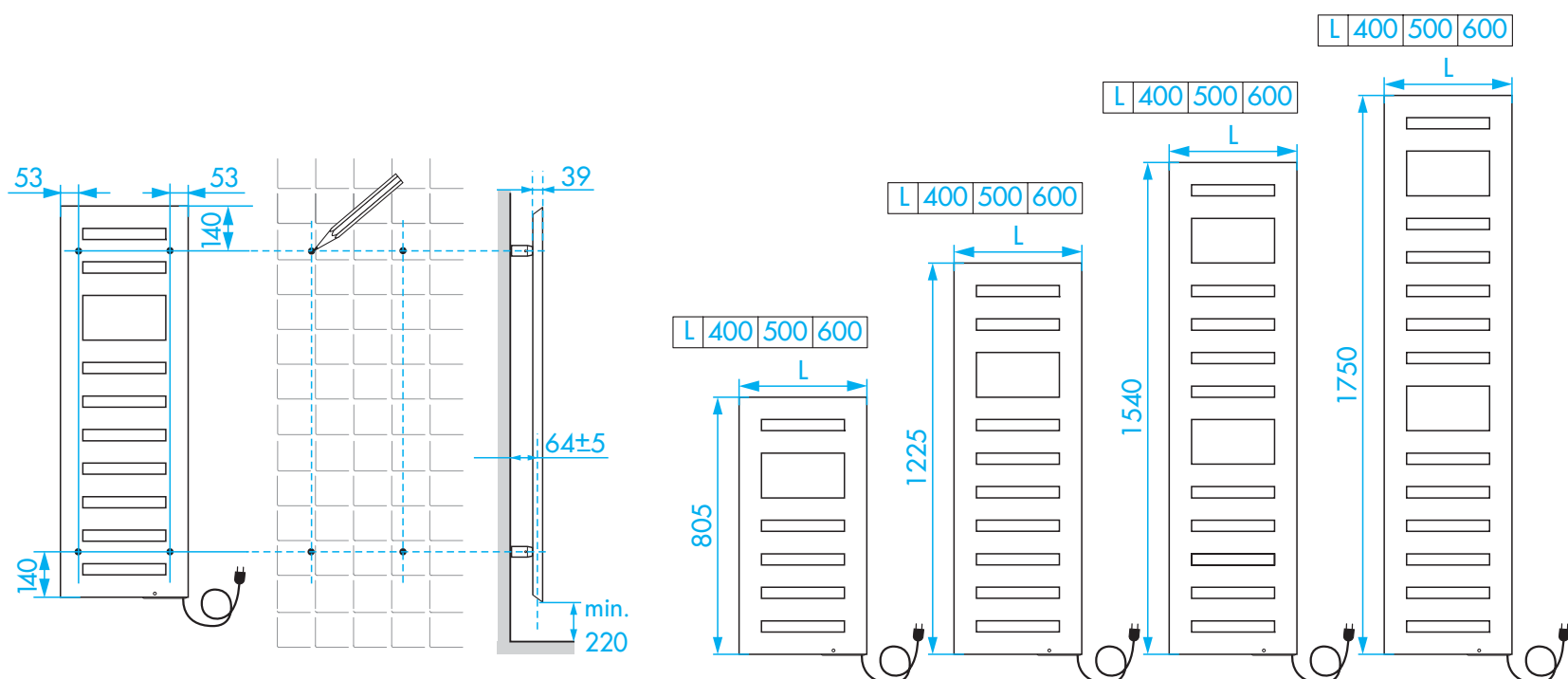
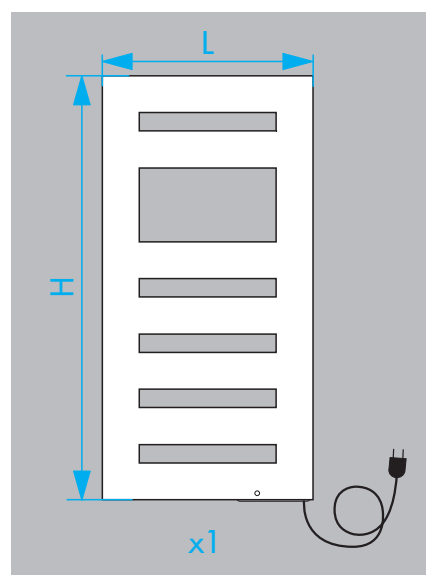
© Copyright by PBO 12/09



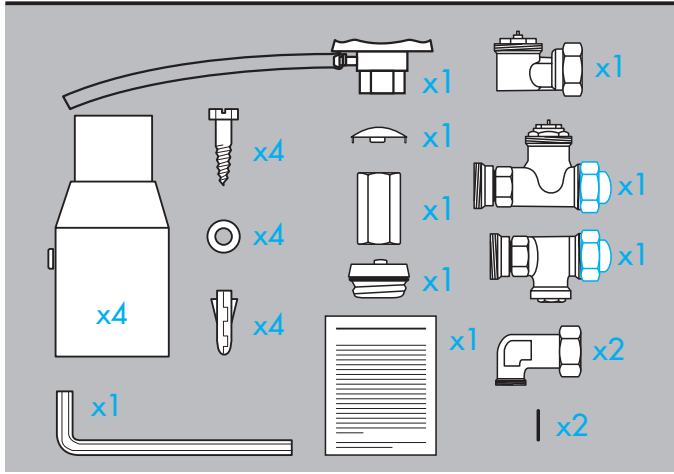
TYPE T080-HE



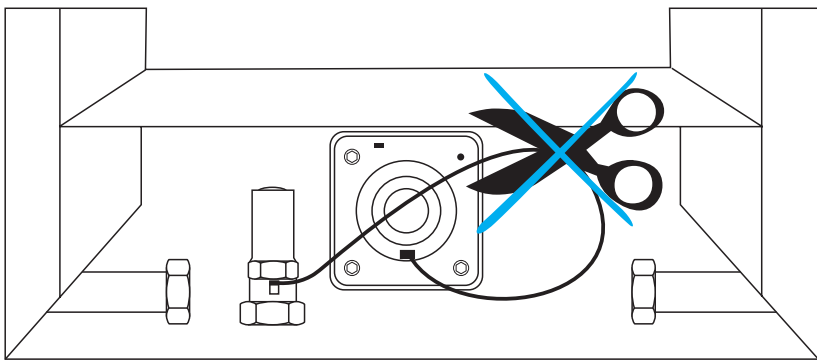
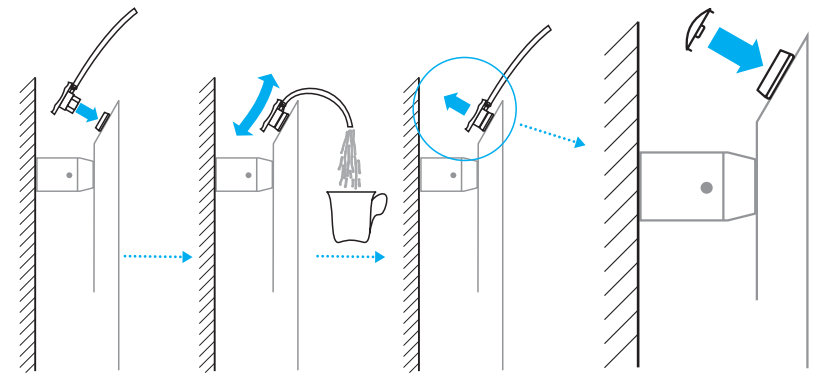
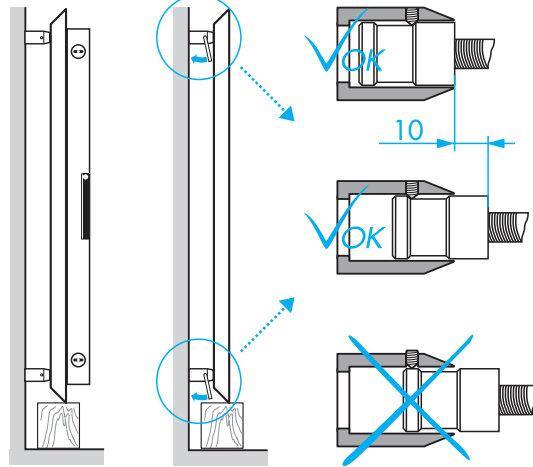
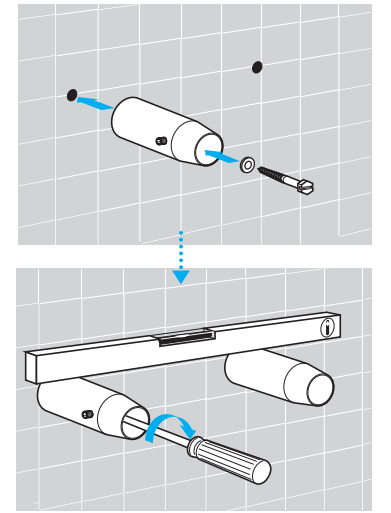
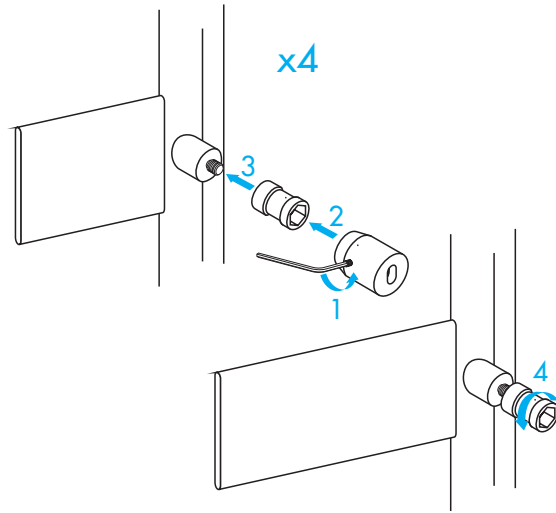
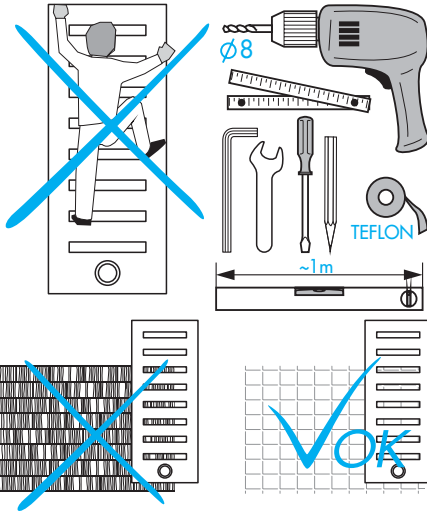
TYPE T081-HE



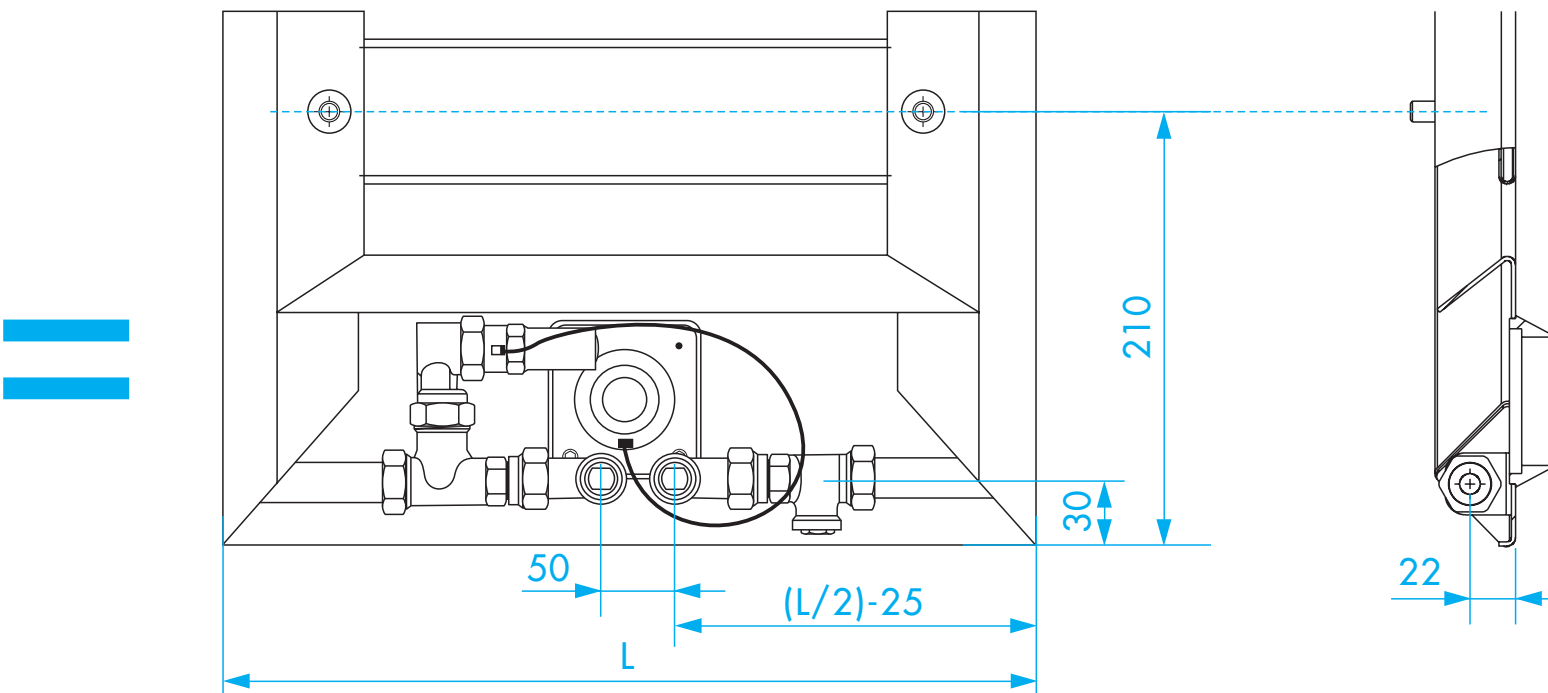
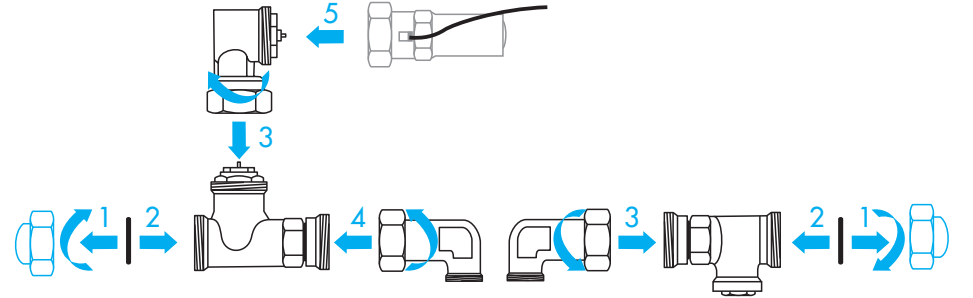
COMPLETTO



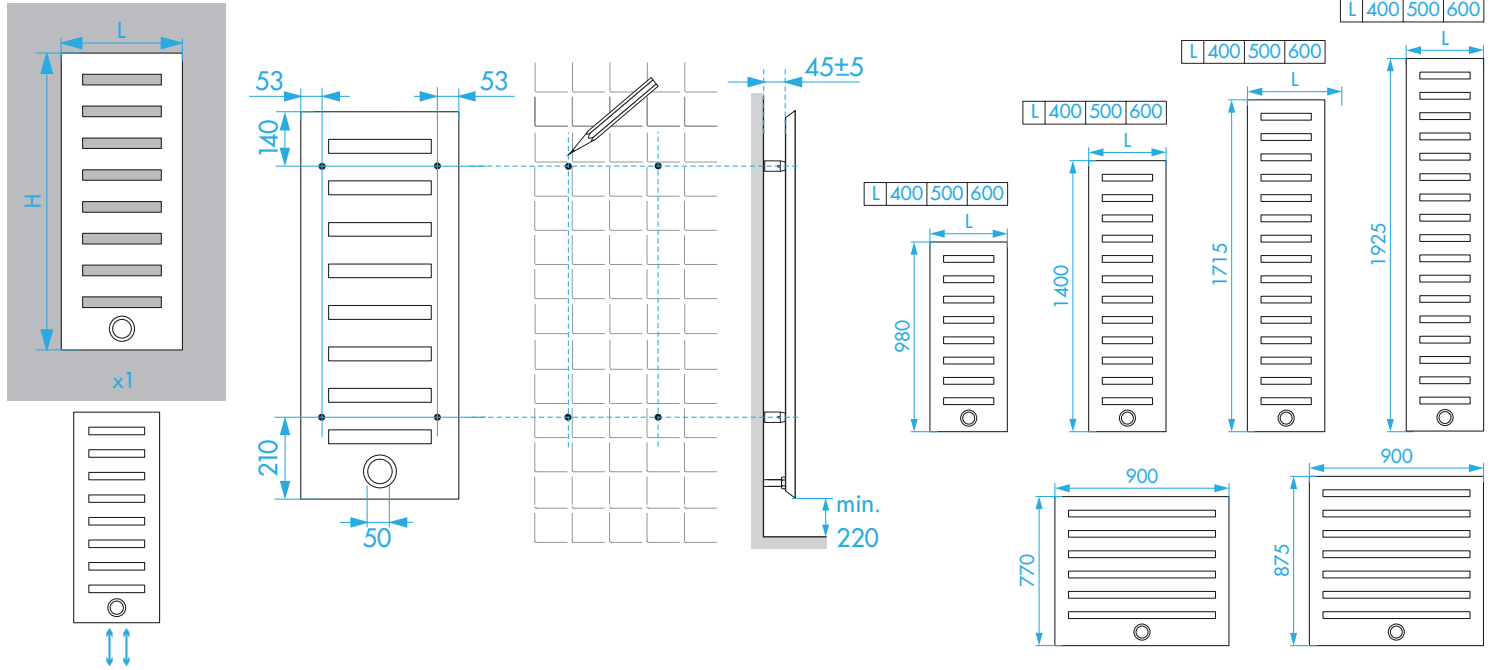
© Copyright by PBO 01/11 061209



+



TYPE T080



TYPE T081

